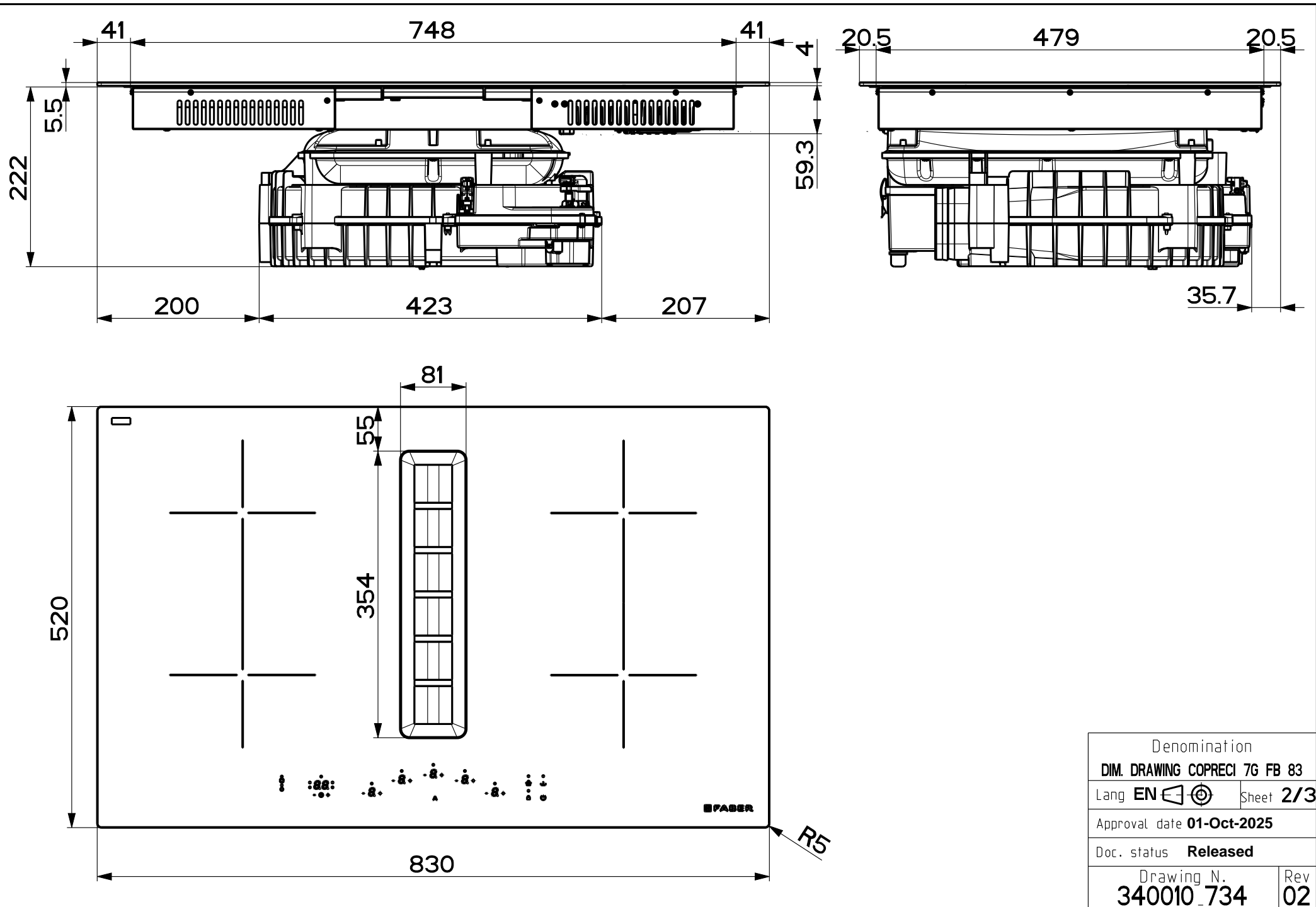
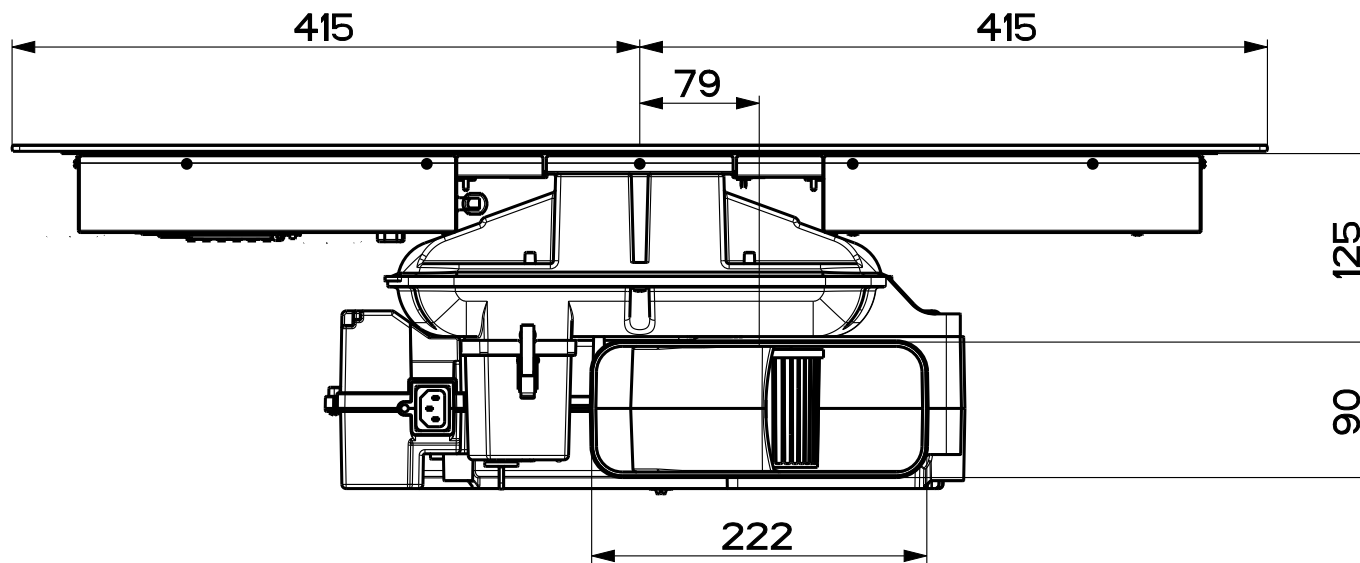



Denomination	
DIM. DRAWING COPRECI 7G FB 83	
Lang EN	Sheet 1/3
Approval date 01-Oct-2025	
Doc. status Released	
Drawing N.	Rev
340010_734	02



Denomination	
DIM. DRAWING COPRECI 7G FB 83	
Lang EN	Sheet 2/3
Approval date 01-Oct-2025	
Doc. status Released	
Drawing N.	Rev
340010_734	02



Denomination	
DIM. DRAWING COPRECI 7G FB 83	
Lang EN 	Sheet 3/3
Approval date 01-Oct-2025	
Doc. status Released	
Drawing N.	Rev
340010_734	02